



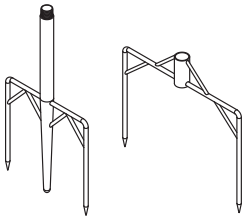
**Happy Birdy**

# **EasyMount Pole**

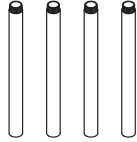
# **Assembly Instructions**

Follow these steps to set up your bird feeder stand. Please ensure all parts are present before beginning.

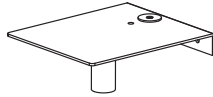
# Parts List



**A / B:**  
Base Stake and  
Secondary Stake  
attachment



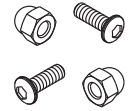
**C:**  
Extension Poles  
(x4)



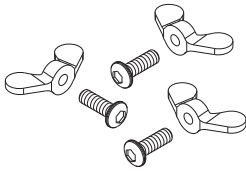
**D:**  
Top Mounting  
Platform



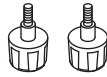
**E:**  
Solar Panel Bracket  
(For Hummingbird  
Model Only)



**F:**  
Bolt & Nut set  
(x2)

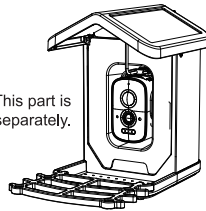


**G:**  
Mounting Screws  
(x3)

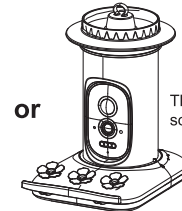


**J:**  
Thumb Screws  
(x2)

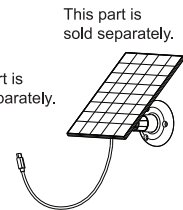
This part is  
sold separately.



**K:**  
Smart Feeder  
Unit

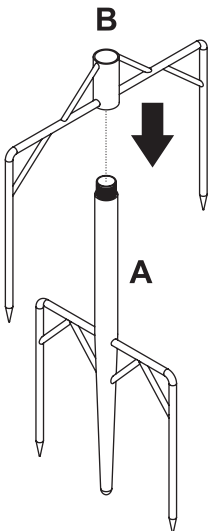


This part is  
sold separately.

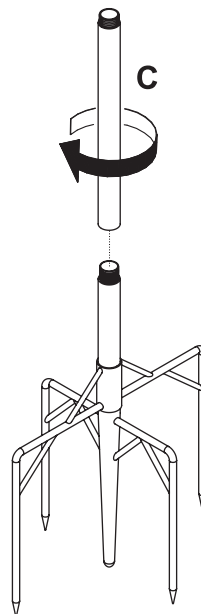


**Solar Panel**  
(For Hummingbird  
Model Only)

# Phase 1: Stand Assembly

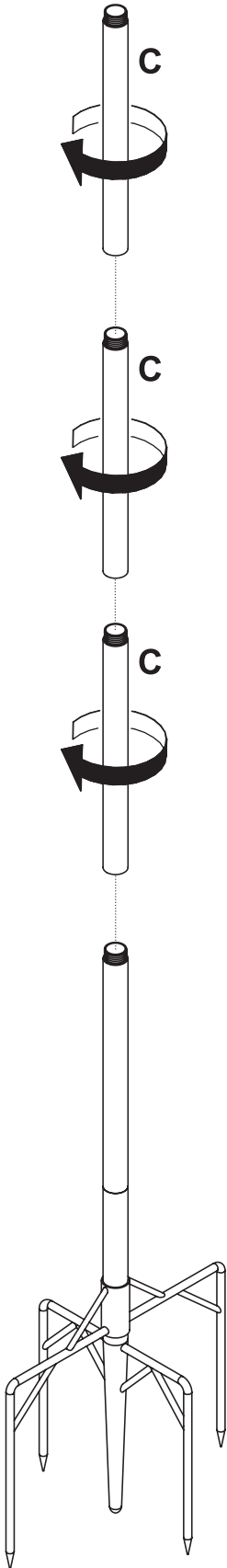


**The Base:**  
Slide B over the pole of A.  
Align the legs to create a  
stable, 5-pronged base.

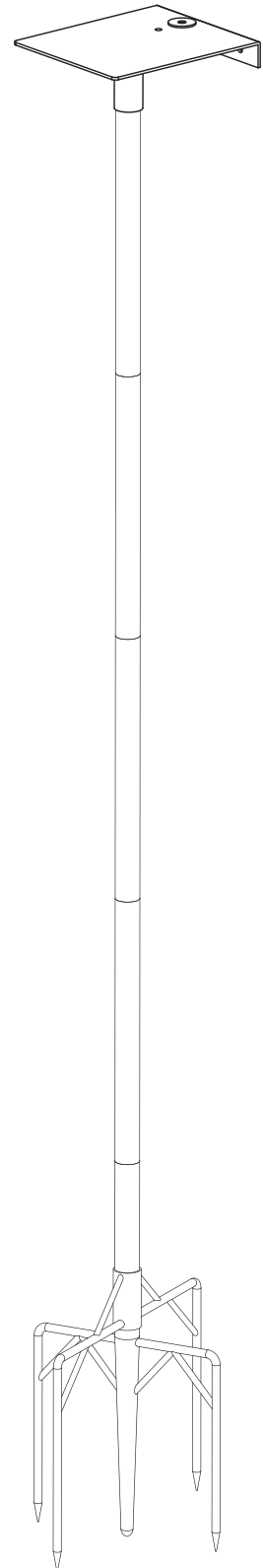
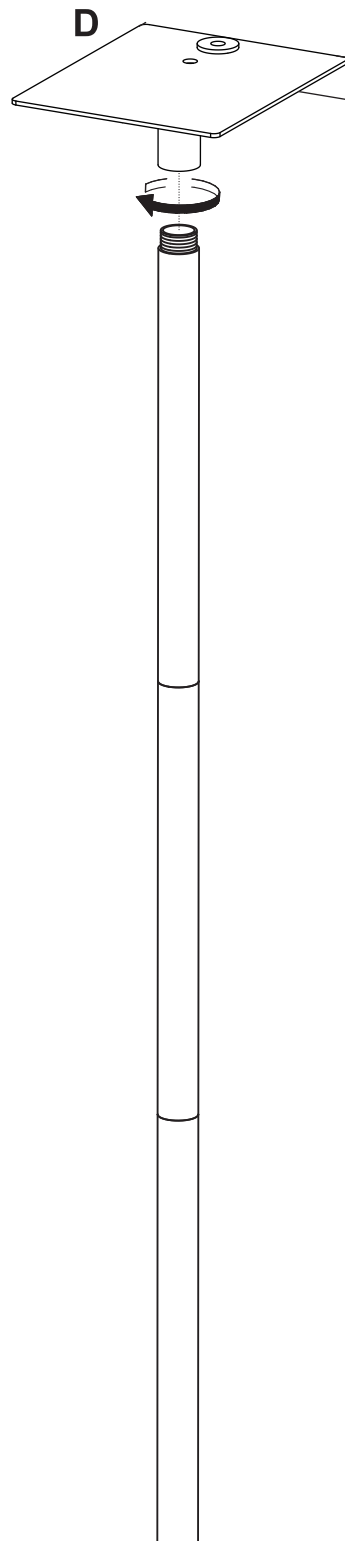


**The Pole:**  
Screw one Extension Pole  
(C) onto the base.  
Continue adding sections  
until you reach your  
desired height.

# Phase 1: Stand Assembly

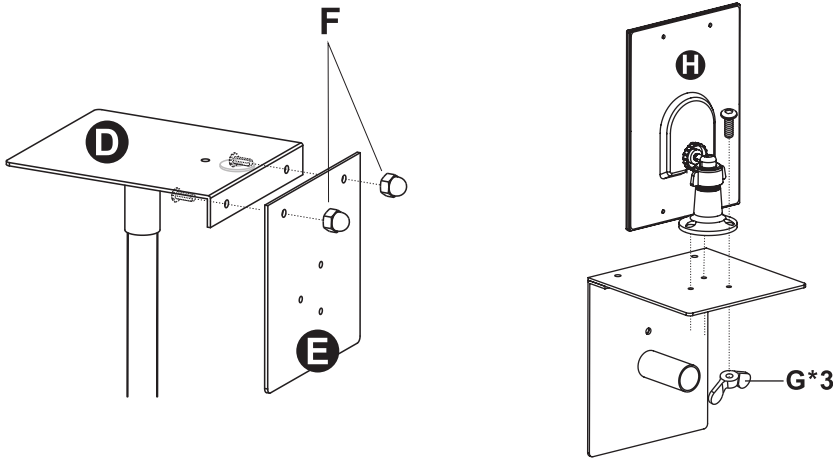


**The Platform:**  
Screw the Top Platform (D) directly onto the top of your final pole section.



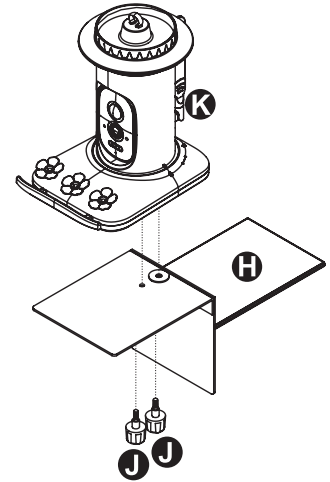
# Phase 2: Mounting Your Feeder

## Option A: Hummingbird Feeder



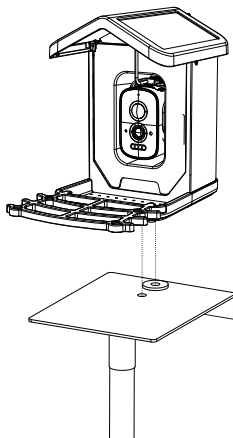
**Solar Bracket:**  
Use the Bolt & Nut set (F) to attach the Solar Panel Bracket (E) to the side of the Top Platform (D).

**Solar Panel:**  
Secure Solar Panel (H) to the bracket using Screws (G). Angle it toward the sun.

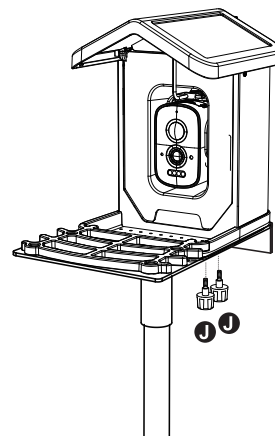


**Mount Unit:**  
Place Feeder (K) on the platform and secure it from underneath with Thumb Screws (J).

## Option B: Happy Birdy Feeder



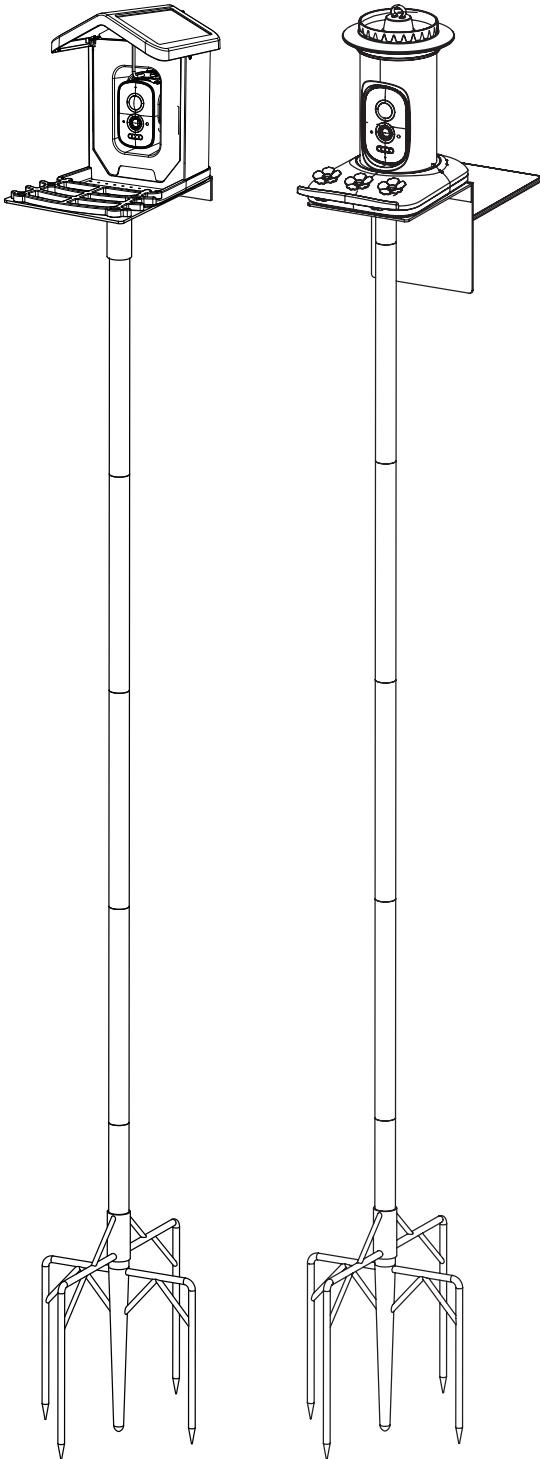
**Mount Unit:**  
Skip Parts E and H. Place the Happy Birdy Unit (K) directly onto the Top Platform (D).



**Secure:**  
Fasten the unit from the underside using the two Thumb Screws (J).

## Final Step

Press the base stakes firmly into the ground. Double-check that all sections are tightened and the feeder is level.



Happy  
Birdy

Hummingbird  
Feeder

**⚠ NOTE:** Parts E and H (Bracket and Solar Panel) are specifically for the Hummingbird Feeder. If you purchased the Happy Birdy model, these parts are not required for assembly.

For more information, please scan the QR code to contact our customer service team.

